

mod.

**107-307**  
**207**

- Contenitori in 3 pezzi.
- 3-piece housings.
- Conteneurs en 3 pièces.
- Dreiteilige Gehäuse.

**mod. 107-307**

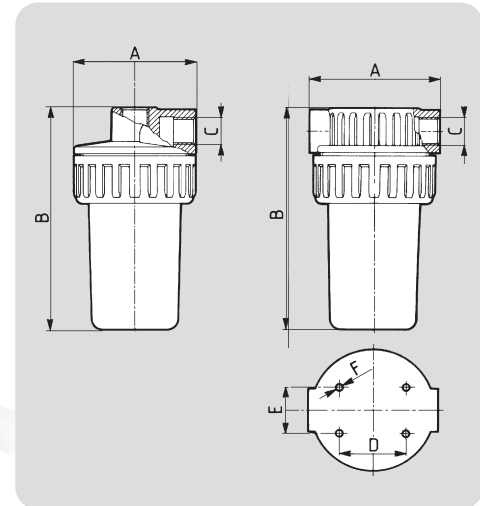
| Ref.   | Ingressi/Inlet/Entrées/Anschlüsse  | Diam./Ø | Vaso/Bowl/Bol/Behälter |
|--------|--|---------|------------------------|
| 1 107  | Inserti ottone a 90°/Brass inserts at 90°/<br>Inserts laiton à 90°/90°-Messinganschlüsse           | 1/2"    | 5"/SAN                 |
| 2 107L | Inserti ottone in linea/Brass inserts in-line/<br>Inserts laiton en ligne/Messing-Linearanschlüsse | 1/2"    | 5"/SAN                 |
| 3 307  | Inserti ottone/Brass inserts/<br>Inserts laiton/-Messinganschlüsse                                 | 1/2"    | 5"/SAN                 |

**mod. 207**

| Ref.   | Ingressi/Inlet/Entrées/Anschlüsse  | Diam./Ø | Vaso/Bowl/Bol/Behälter |
|--------|--|---------|------------------------|
| 4 207  | Plastici a 90°/Plastic at 90°/<br>Plastiques à 90°/90°-Plastikanschlüsse           | 1/2"    | 5"/SAN                 |
| 5 207L | Plastici in linea/Plastic in-line/<br>Plastiques en ligne/Plastik-Linearanschlüsse | 1/2"    | 5"/SAN                 |

**Dati tecnici/Technical data/Données techniques/Technische Angaben**

|  |   |
|--|---|
| Testa/Head/Tête/Kopf   | Polipropilene talco/Talc polypropylene/Polypropylène talc/Talk Polypropylen |
| Ghiera/Ring-nut/Bague/Nutmutter  | Polipropilene talco/Talc polypropylene/Polypropylène talc/Talk Polypropylen |
| Vaso/Bowl/Bol/Behälter   | SAN Trasparente/Clear transparent/Transparent/durchsichtig                  |
| O-ring   | NBR   |
| Pressione max. d'esercizio/Max. working pressure/Pression max. en service/Max. Betriebsdruck   | 6 bar (90 psi)  |
| Temperatura max. servizio continuo/Max. temperature continuous service/<br>Température max. en service continu/Max. Temperatur beim Dauerbetrieb | 40° C   |



|   | Mod.      | A mm | B mm | C BSP | D mm | E mm | F mm | Imballo - Packing |     |       |
|---|-----------|------|------|-------|------|------|------|-------------------|-----|-------|
|   |           |      |      |       |      |      |      | No.               | kg  | m³    |
| 1 | 107 - 5"  | 90   | 167  | 1/2"  |      |      |      | 20                | 8.8 | 0.042 |
| 2 | 107L - 5" | 96   | 168  | 1/2"  | 51   | 35   | 3.2  | 20                | 8.2 | 0.042 |
| 3 | 307L - 5" | 96   | 168  | 1/2"  |      |      |      | 20                | 7.8 | 0.042 |
| 4 | 207 - 5"  | 90   | 167  | 1/2"  | 51   | 35   | 3.2  | 20                | 7.2 | 0.042 |
| 5 | 207L - 5" | 96   | 168  | 1/2"  |      |      |      | 20                | 7.2 | 0.042 |