

CONTENITORI IN 3 PEZZI CON TESTA E GHIERA IN OTTONE NICHELATO ●
3 PIECE HOUSING, WITH BRASS HEAD / RING NUT ●

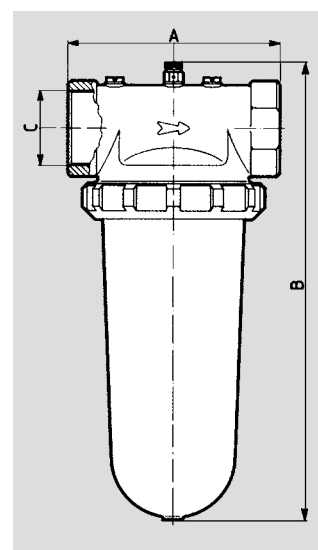
mod./mod. BP

Valvola di sfiato pressione in ottone / Brass pressure relief valve

Dati tecnici / Technical data

Testa / Head	Ottone nichelato/ Nichel brass
Ghiera / Ring Nut	Ottone nichelato/ Nichel brass
Vaso / Bowl	Clear
O-ring / O-ring	NBR
Pressione massima d'esercizio / Max working pressure	15 bar (215 psi)
Temperatura massima in esercizio continuo / Max temperature continuous service	40° c

Predisposto per montaggio manometri entrata-uscita / Ready for application of pressure gauge on inlet-outlet



Codice WF Code WF	Descrizione Description	Taglia Size	IN/OUT IN/OUT	Vaso Bowl	Confezione Pack
33.9340.00	CONT. BP 9"3/4 CLEAR 3/4 G OTT NIK	9 3/4	3/4	SAN	12
33.9100.00	CONT. BP 9"3/4 CLEAR 1 G OTT NIK	9 3/4	1	SAN	12
33.9114.00	CONT. BP 9"3/4 CLEAR 1 1/4" G OTT NIK	9 3/4	1 1/4	SAN	12
33.9112.00	CONT. BP 9"3/4 CLEAR 1 1/2" G OTT NIK	9 3/4	1 1/2	SAN	12
33.9200.00	CONT. BP 9"3/4 CLEAR 2" G OTT NIK	9 3/4	2	SAN	12
33.2340.00	CONT. BP 20" CLEAR 3/4" G OTT NIK	20	3/4	SAN	1
33.2100.00	CONT. BP 20" CLEAR 1" G OTT NIK	20	1	SAN	1
33.2114.00	CONT. BP 20" CLEAR 1 1/4" G OTT NIK	20	1 1/4	SAN	1
33.2112.00	CONT. BP 20" CLEAR 1 1/2" G OTT NIK	20	1 1/2	SAN	1
33.2200.00	CONT. BP 20" CLEAR 2" G OTT NIK	20	2	SAN	1

Accessori / Optionals MOD. BP

MSWBP5B	CHIAVE PLASTICA / PLASTIC SPANNER	-
---------	-----------------------------------	---