

- Contenitori in 3 pezzi.
- 3-piece housings.
- Conteneurs en 3 pièces.
- Dreiteilige Gehäuse.

## mod. JUMBO BSP/NPT

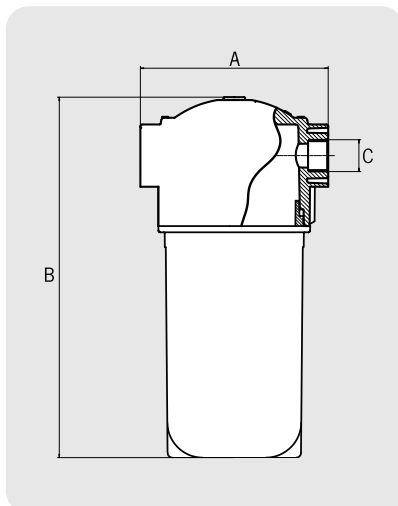
## mod. JUMBO DRAIN BSP/NPT

Valvola di sfiato pressione in plastica/Plastic pressure relief valve/Purge pression en plastique/Plastik-Auslassventil  
 Ingressi/Inlet/Entrées/Anschlüsse Diam./Ø Vaso/Bowl/Bol/Behälter

1	Plastica/Plastic/Plastique/Plastik	1" (NPT)	10"/SAN
	Plastica/Plastic/Plastique/Plastik	1 1/2" (NPT)	10"/SAN
2	Plastica/Plastic/Plastique/Plastik	1" (NPT)	10"/PP
	Plastica/Plastic/Plastique/Plastik	1 1/2" (NPT)	10"/PP
3	Plastica/Plastic/Plastique/Plastik	1" (NPT)	20"/PP
	Plastica/Plastic/Plastique/Plastik	1 1/2" (NPT)	20"/PP
4	Inserti in ottone/Brass inserts/Inserts laiton/Messing-Anschlüsse	1" (BSP)	10"/SAN
	Inserti in ottone/Brass inserts/Inserts laiton/Messing-Anschlüsse	1 1/2" (BSP)	10"/SAN
5	Inserti in ottone/Brass inserts/Inserts laiton/Messing-Anschlüsse	1" (BSP)	10"/PP
	Inserti in ottone/Brass inserts/Inserts laiton/Messing-Anschlüsse	1 1/2" (BSP)	10"/PP
6	Inserti in ottone/Brass inserts/Inserts laiton/Messing-Anschlüsse	1" (BSP)	20"/PP
	Inserti in ottone/Brass inserts/Inserts laiton/Messing-Anschlüsse	1 1/2" (BSP)	20"/PP

### Dati tecnici/Technical data/Données techniques/Technische Angaben

Testa/Head/Tête/Kopf	Polipropilene talco/Talc polypropylene/Polypropylène talc/Talk Polypropylen
Ghiera/Ring-nut/Bague/Nutmutter	Polipropilene talco/Talc polypropylene/Polypropylène talc/Talk Polypropylen
Vaso/Bowl/Bol/Behälter	SAN Trasparente/Clear transparent/Transparent/durchsichtig PP Opaco bianco/White opaque/Blanc opaque/weiß undurchsichtig
Selettore by-pass/By-pass selector/Sélecteur by-pass/By-pass-Wähler	POM
Coperchio-selettore/Selector cover/Couvercle sélecteur/Wählerdeckel	POM
O-ring	NBR
Vaso con valvola di scarico a richiesta/Optional bowl drain/Cuve avec purge: sur demande/ Behälter mit Ablassventil, auf Wunsch	—
Pressione max. d'esercizio/Max. working pressure/Pression max. en service/Max. Betriebsdruck	6 bar (90 psi)
Temperatura max. servizio continuo/Max. temperature continuous service/ Température max. en service continu/Max. Temperatur beim Dauerbetrieb	40° C



Mod.	A mm	B mm	C BSP	Imballo - Packing No.	m <sup>3</sup>
JUMBO 10"	196	374	1-11/2	6	0.14
JUMBO 20"	196	632	1-11/2	4	0.14